

Driver LC 38W 700mA fixCC Ip SNC2 China Domestic
essence SELV标准版系列



产品描述

- _ 固定输出内置型LED驱动
- _ 恒流LED驱动
- _ 适用于保护等级1及保护等级2两类灯具
- _ 耐热保护符合EN61347-2-13 C5e标准
- _ 输出电流700 mA
- _ 最大输出功率38W
- _ 效率高达 89%
- _ 高达50,000小时的额定寿命
- _ 3年质保

外壳特性

- _ 包装：金属，白色
- _ 安全等级IP20

功能

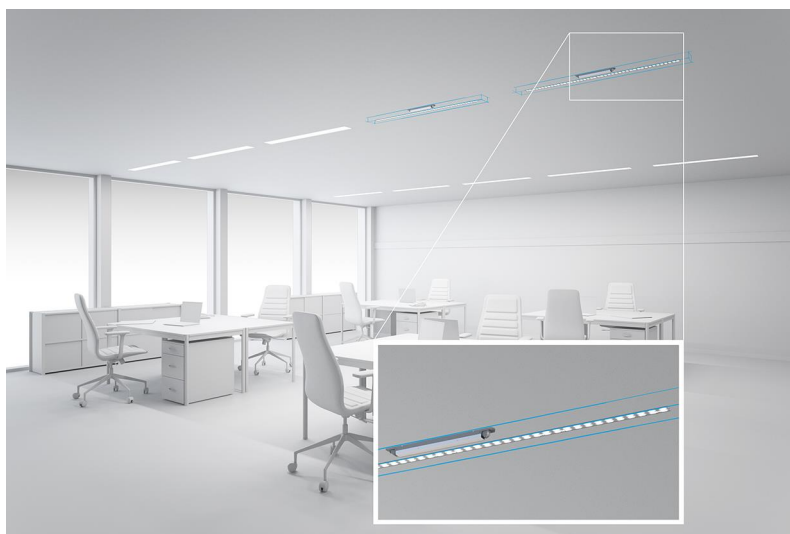
- _ 过载保护
- _ 短路保护
- _ 空载保护

典型应用

- _ 为了在办公应用里线性或大面积照明

Website

<http://www.tridonic.cn/23000314>



Spotlights



Downlights



Linear



Area



Floor | Wall



Free-standing



Street



Decorative



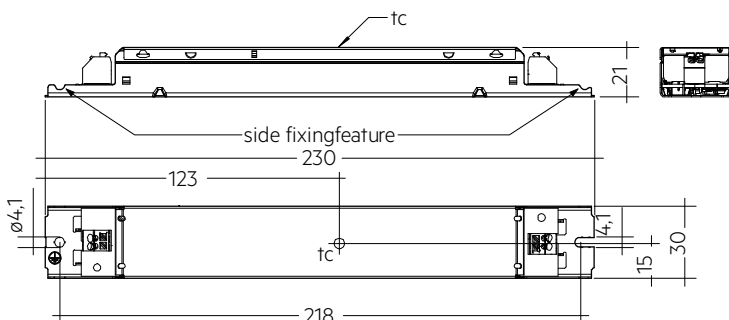
High bay



Driver LC 38W 700mA fixCC Ip SNC2 China Domestic

essence SELV标准版系列

您可以在下载区域找到这一产品的完整数据资料。



Ordering data

Type	Article number	Packaging, carton	Packaging, low volume	Packaging, high volume	Weight per pc.
LC 38/700/54 fixCC Ip SNC2	23000314	50 pc(s).	1,050 pc(s).	3,150 pc(s).	0.136 kg

Technical data

Rated supply voltage	220 – 240 V
交流电压范围	198 – 264 V
Input current (at 230 V, 50 Hz, full load)	0.2 A
Mains frequency	50 / 60 Hz
Leakage current (at 230 V, 50 Hz, full load)	< 450 μ A
Output power range	18.9 – 38 W
THD (at 230 V, 50 Hz, full load)	< 20 %
Output current tolerance [®]	\pm 7.5 %
Output LF current ripple (< 120 Hz)	\pm 30 %
Starting time (at 230 V, 50 Hz, full load)	\leq 0.5 s
Turn off time (at 230 V, 50 Hz, full load)	\leq 0.5 s
Hold on time at power failure (output)	0 s
环境温度 ta	-20 ... +50 °C
Ambient temperature ta (at life-time 50,000 h)	40 °C
Storage temperature ts	-40 ... +80 °C
Mains burst capability	1 kV
Mains surge capability (between L - N)	1 kV
Mains surge capability (between L/N - PE)	2 kV
Surge voltage at output side (against PE)	3 kV
寿命	up to 50,000 h
尺寸 长 x 宽 x 高	230 x 30 x 21 mm
Hole spacing D	218 mm

Approval marks

IP20 SELV RoHS

Standards

EN 55015, EN 61000-3-2, EN 61000-3-3, EN 61347-1, EN 61347-2-13, EN 61547, EN 62384

Specific technical data

Type	输出电流 ^①	Max. input power	Typ. power consumption (at 230 V, 50 Hz, full load)	λ at full load ^②	Efficiency at full load ^②	λ at min. load ^③	Efficiency at min. load ^②	Min. forward voltage ^②	Max. forward voltage ^②	Max. output voltage (U-OUT)	Max. peak output current at full load ^③	Max. casing temperature t_c
LC 38/700/54 fixCC Ip SNC2	700 mA	42 W	41.8 W	0.95	89 %	0.9C	86 %	27 V	54 V	60 V	980 mA	70 °C

① Output current is mean value.

② Test result at 230 V, 50 Hz.

③ The trend between min. and full load is linear.