

**Driver LC 10W 250mA fixC R ADV**

advanced round series

**Product description**

- \_ Fixed output built-in LED Driver
- \_ Constant current LED Driver
- \_ For luminaires of protection class II
- \_ Output current 250 mA
- \_ For ambient temperatures up to 60 °C
- \_ Nominal life-time up to 50,000 h (at ta 50 °C)
- \_ 5-year guarantee

**Housing properties**

- \_ Casing: polycarbonate, white
- \_ Type of protection IP20

**Functions**

- \_ Over voltage protection
- \_ Short-circuit protection
- \_ No-load protection

**Typical applications**

- \_ For track light, wall light and other pendent application

**Website**

<http://www.tridonic.com/28002402>



Spotlights



Downlights



Linear



Area



Floor | Wall



Free-standing



Street



Decorative

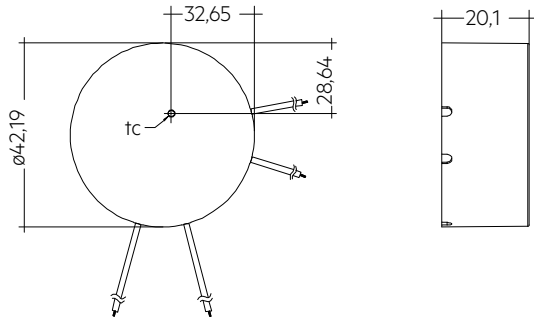


High bay

## Driver LC 10W 250mA fixC R ADV

advanced round series

The complete data sheet for this product is available in the Downloads section.



## Ordering data

| Type                    | Article number | Packaging, carton | Packaging, low volume | Weight per pc. |
|-------------------------|----------------|-------------------|-----------------------|----------------|
| LC 10/250/40 fixC R ADV | 28002402       | 300 pc(s).        | 5,400 pc(s).          | 0,045 kg       |

## Technical data

|   |                |
|---|----------------|
| Rated supply voltage  | 220 – 240 V    |
| AC voltage range  | 198 – 264 V    |
| Mains frequency   | 50 / 60 Hz     |
| Typ. input current (at 230 V, 0 Hz, full load)                    | 0.055 A        |
| THD (at 230 V, 50 Hz, full load)                                  | < 9 %          |
| Output current tolerance <sup>①</sup>                             | ± 10 %         |
| Typical output LF current ripple at full load <sup>②</sup>        | ± 5 %          |
| Starting time (at 230 V, 50 Hz, full load)                        | ≤ 0.5 s        |
| Turn off time (at 230 V, 50 Hz, full load)                        | ≤ 0.5 s        |
| Ambient temperature <i>t</i> <sub>a</sub>                         | -20 ... +60 °C |
| Ambient temperature <i>t</i> <sub>a</sub> (at life-time 50,000 h) | 50 °C          |
| Storage temperature <i>t</i> <sub>s</sub>                         | -20 ... +70 °C |
| Mains surge capability (between L - N)                            | 1 kV           |
| Life-time   | up to 50,000 h |
| Dimensions Ø x H  | Ø 42 x 20 mm   |

## Approval marks



## Standards

EN 55015, EN 61000-3-2, EN 61000-3-3, EN 61347-1, EN 61347-2-13, EN 61547

## Specific technical data

| Type                    | Output current <sup>①</sup> | Max. input current | Typ. power consumption (at 230 V, 50 Hz, full load) | Max. input power | Output power range | $\lambda$ at full load <sup>③</sup> | Efficiency at full load <sup>④</sup> | $\lambda$ at min. load <sup>④</sup> | Efficiency at min. load <sup>④</sup> | Min. forward voltage | Max. forward voltage | Max. output voltage (U-OUT) | Max. peak output current at full load <sup>④</sup> | Max. casing temperature <i>t</i> <sub>c</sub> |
|-------------------------|-----------------------------|--------------------|---|------------------|--------------------|-------------------------------------|--------------------------------------|-------------------------------------|--------------------------------------|----------------------|----------------------|-----------------------------|--|---|
| LC 10/250/40 fixC R ADV | 250 mA                      | 0.1 A              | 12 W  | 13 W             | 5 – 10 W           | 0.95                                | 84 %                                 | 0.88C                               | 80 %                                 | 21 V                 | 40 V                 | 50 V                        | 263 mA   | 100 °C  |

① Output current is mean value.

② Typical value at full load, depend on load's V-I character.

③ Test result at 230 V, 50 Hz.

④ The trend between min. and full load is linear and depend on load's V-I character.